



SEBO ESSENTIAL G

# OWNER'S MANUAL

For Household Use Only



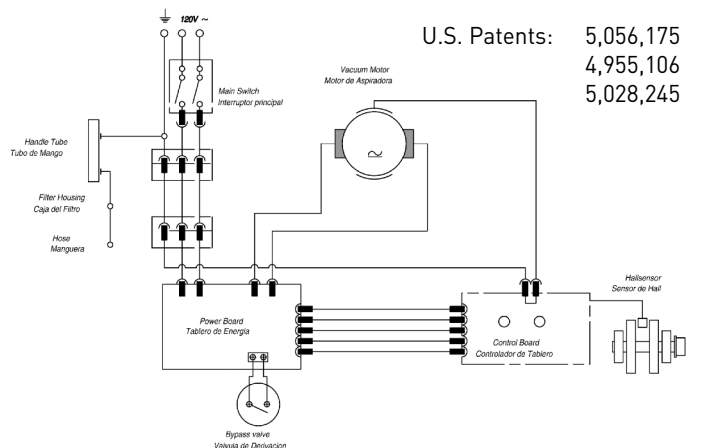
# TABLE OF CONTENTS

<b>Technical Details</b> .....	<b>2</b>
<b>Wiring Diagram</b> .....	<b>2</b>
<b>Important Safety Instructions</b> .....	<b>3</b>
<b>Special SEBO Product Features</b> .....	<b>4</b>
Brush Roller Obstruction – Auto Shut-Off .....	4
Bag Full or Clog Warning – Auto Shut-Off .....	4
Brush Roller Deterioration Warning .....	4
S-Class Filtration .....	5
<b>Optional Attachments, Accessories, Bags &amp; Filters</b> .....	<b>5</b>
<b>Identification of Parts</b> .....	<b>6</b>
Standard Attachments .....	6
Optional Attachments .....	6
<b>Assembly</b> .....	<b>6</b>
<b>Operating Instructions</b> .....	<b>7</b>
Starting the Machine .....	7
Operating Positions .....	7
Using the Attachment Tube, Hose & Attachments .....	8
The Display Panel .....	8
The Height Adjustment Wheel .....	8
<b>Maintenance</b> .....	<b>9</b>
Changing the Dust Bag .....	9
Changing the Micro-Hygiene Filter .....	9
Changing the Exhaust Filter .....	9
Changing the Brush Roller .....	9
<b>Clog Removal</b> .....	<b>10</b>
Clogs in the Airflow Pathway .....	10
Clogs in the Attachment Hose .....	10
Clogs in the Attachment Tube .....	10
Clogs in Entrance to Dust Bag .....	10
Clogs in the Swivel Neck .....	10
<b>Trouble-Shooting Guide</b> .....	<b>11</b>
<b>ESSENTIAL G1 and G2 Filter Bag Housing and Handle Schematic and Part Numbers</b> .....	<b>12</b>
<b>ESSENTIAL G1 Power Head Schematic and Part Numbers</b> .....	<b>13</b>
<b>ESSENTIAL G2 Power Head Schematic and Part Numbers</b> .....	<b>14</b>
<b>Warranty</b> .....	<b>16</b>
<b>How To Contact SEBO</b> .....	<b>16</b>

## TECHNICAL DETAILS

Vacuum motor	1300 watts (10.8 amps)
Water lift (at motor)	92.5 in. H <sub>2</sub> O
Airflow (at motor)	103.8 CFM
Filter bag capacity	1.4 gal.
Sound level	69 dBA
Body weight	G1-16.9 lbs / G2-17.1 lbs
Motor protection	thermal cut-out
Working width	G1-12 inches / G2- 15 inches
Brush drive	toothed belt
Brush speed	3100 rpm
Floor adjustment	manual
Cord length	40 feet
Radio suppression	EN 55014 Verf. 242/91

## WIRING DIAGRAM



# IMPORTANT SAFETY INSTRUCTIONS



## **READ ALL INSTRUCTIONS BEFORE USING THIS MACHINE**

### **When using an electrical appliance, basic precautions must always be followed.**

To reduce the risk of electric shock, this vacuum cleaner has a polarized plug; one blade is wider than the other. This plug will fit in a polarized outlet only one way. If the plug does not fit fully in the outlet, reverse the plug. If it still does not fit, contact a qualified electrician to install the proper outlet. Do not change the plug in any way. Connect only to the outlet type specified on the serial number plate underneath the machine.

### **SAVE THESE INSTRUCTIONS.**

## **WARNING: To reduce the risk of fire, electric shock, or injury:**

1. Do not leave vacuum while plugged in. Unplug from outlet when not in use and before servicing.
2. Do not use outdoors or on wet surfaces.
3. Do not use near small children or pets. Do not allow to be used as a toy. Use of this product by children should always be supervised by an adult.
4. Use only as described in this manual. Use only manufacturer-recommended attachments.
5. Do not use with a damaged cord or plug. If vacuum is not working as it should, has been dropped, damaged, left outdoors, or dropped into water, take it to a SEBO service center.
6. Do not pull or carry by cord, use cord as a handle, close a door on cord, or pull cord around sharp edges or corners. Do not run vacuum over cord. Keep cord away from heated surfaces.
7. Do not unplug by pulling on cord. To unplug, grasp the plug – not the cord.
8. Do not plug in if switch is in the “I” (ON) position.
9. Do not use outlets above counters to plug in vacuum – damage to items in the surrounding area could occur.
10. Always carry the vacuum over steps and sills.
11. Do not handle plug or vacuum handle with wet hands.
12. Do not put any object into vacuum openings. Do not use machine with any openings blocked. Keep openings free of lint, hair, and anything that may reduce air flow.
13. Do not re-use filter bags or wash the filters.
14. Do not remove any screws from vacuum.
15. Do not vacuum up anything that is burning or smoking, such as cigarettes, matches, or hot ashes.
16. Do not use vacuum without filter bag and/or filters in place.
17. Turn off all machine controls before unplugging.
18. Use extra care when cleaning on stairs.
19. Do not use machine to vacuum up flammable or combustible liquids such as gasoline or use in areas where they may be present.
20. Machines can cause a fire when operated near flammable vapors or materials. Do not operate this vacuum near flammable fluids, dust or vapors.
21. Maintenance and repairs must be done by qualified personnel.
22. Use only original SEBO replacement parts.
23. Do not use vacuum as a step.
24. If vacuum is used on plush carpet or carpet with thick padding, do not leave machine standing in one place with machine turned on.
25. Do not use the operator’s handle, which inserts into the top of the filter bag housing, to carry the machine. The carrying handle is located on the backside of the machine’s bag housing.
26. Keep hair, loose clothing, fingers, and all parts of body away from vacuum openings and moving parts. Do not place fingers or other body parts under vacuum unless it is unplugged.
27. Do not place the power head over rug or carpet edges.
28. The vacuum has a manual reset thermal protector. The protector is reset by switching off the vacuum. The thermal protector needs some time to cool down after switching off! Check the vacuum for air blockages or mechanical failures before switching on.
29. Store the vacuum in a dry place at room temperature. When the vacuum is not in use, you should wrap the cord on the cable hooks.
30. Any other servicing should be performed by an authorized service representative.

# SEBO ESSENTIAL G PRODUCT FEATURES

**SEBO Vacuums Save Money!** – SEBO vacuums are the highest quality machines available. In fact, if properly maintained, SEBO vacuums can save ordinary residential users hundreds of dollars by providing excellent performance for ten to fifteen years or more. Typical vacuums perform poorly and usually do not last beyond two years. So, in the long run, SEBO vacuums cost less money than the five to six other vacuums purchased during that time period.

**Outstanding Warranty Coverage** – SEBO is confident about the quality of all its vacuums. Therefore, all models include a five-year warranty on the motor and all non-wear parts.

**Brush Obstruction Light & Auto Shut Off** –

If an obstruction becomes jammed in the brush roller, a red warning light will quickly flash, the brush roller will immediately stop spinning and the vacuum will shut off. This prevents the belt from breaking and protects the motor from damage. The user should turn the switch off, unplug the machine and immediately remove the obstruction. If the user restarts the machine without removing the obstruction, the machine will again shut off in 3 seconds and the red “CHECK BRUSH” light will flash.



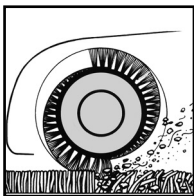
**Bag Full or Clog Light & Auto Shut Off** – A

warning light will illuminate and the machine will automatically shut off, when it senses a full bag, a clog in the airflow pathway, or an excessively dirty micro filter. If the user ignores this warning for approximately 30 seconds, the machine will shut off and the “BAG FULL OR CLOG” light will flash. The user should turn the switch off, unplug the machine and immediately insert a new bag or remove the clog (to remove a clog, refer to the Clog Removal section on page 10). If the user restarts the machine without having solved the problem, the “BAG FULL OR CLOG” light will again illuminate and the machine will shut off in 30 seconds. This feature prevents damage to the motor due to overheating.



**Incorrect Height Setting or Worn Brush Light** –

When the brush height is set too high for optimal cleaning or when the brush roller should be replaced due to wear, the red “CHECK BRUSH” light will illuminate (after a 10 second delay) to notify the user that the brush roller is set incorrectly or worn. If the red “CHECK BRUSH” light flashes continuously while the head is in position 1 (after a 10 second delay), it is signalling the user that the brush roller is too worn and, therefore, should be replaced. The light will remain illuminated until the worn brush roller is replaced, but the machine will continue to operate in the meantime.



**Designed for All Floor Surfaces: Four-level Manual Brush Height Adjustment** – The brush height can be manually adjusted up or down for optimal cleaning effectiveness.

**Easy Brush Roller Removal** – Quick brush cleaning or replacement is easy, and no tools are required!

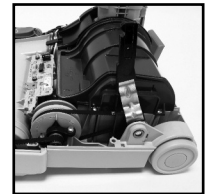


**Vacuum Motor** – The ESSENTIAL G has a 1300 watt motor.

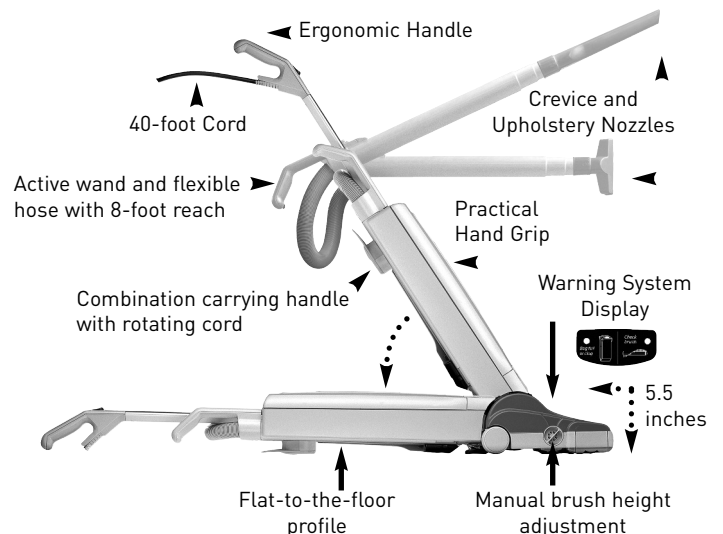
**Forty-foot Cord** – A 40-foot cord saves time because it minimizes the number of electrical outlets needed during use.

**Durable Matte Finish** – The ESSENTIAL G has an exterior housing with a special matte finish that is scratch and scuff-resistant, so it looks great even after years of use.

**Durable Heavy-duty Belts** – The reinforced toothed belts do not slip or stretch, resulting in a more efficient use of power, and they should last the life of the machine.

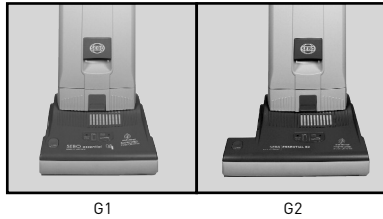


**Instant-use Wand and Suction Hose** – The integrated instant-use wand or suction hose is always ready. Just pull out either tool, or both together, to clean hard-to-reach corners, edges and crevices. The suction hose is ideal for cleaning furniture. And an optional nine-foot extension hose is available, which creates a total hose length of 15 feet, perfect for cleaning stairs. Choose from a range of optional attachments that can be fitted to the wand or hose. The wand and hose together have an eight-foot reach for instant cleaning of hard-to-reach areas.



**Two Power Head Widths –**

The ESSENTIAL G1 is 12 inches wide, with a cleaning width of 10 ½ inches. The ESSENTIAL G2 is 15 inches wide, with a cleaning width of 13 ¼ inches. Both heads have one-sided edge cleaning.



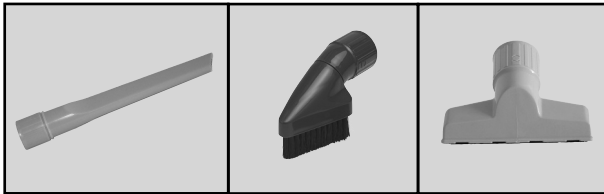
G1

G2

**A Flat-to-the-floor, 5.5-inch Profile –** Such a low profile makes cleaning under furniture and beds easy!



**Three On-board, Full-size Tools and Large Filter Bag –** The vacuum comes standard with a crevice nozzle, dusting brush and upholstery nozzle, and a large 1.4 gallon filter bag. Many optional accessories are also available.



Crevice Nozzle

Dusting Brush

Upholstery Nozzle

**Liberation from Bagless! SEBO Bags are Hygienic –**

The three-layer filter bag is an integral part of SEBO's filtration system because it effectively contains nearly all dirt captured by the vacuum. And SEBO bags can be sealed when full, so no dust can escape into the air during disposal. In contrast, a lot of dust becomes airborne when emptying the dirt containers of bagless vacuums, and their micro filters quickly clog and must be replaced often, or a loss of suction will occur. And bagless vacuum micro filters are expensive, usually costing much more than SEBO's filter bags.



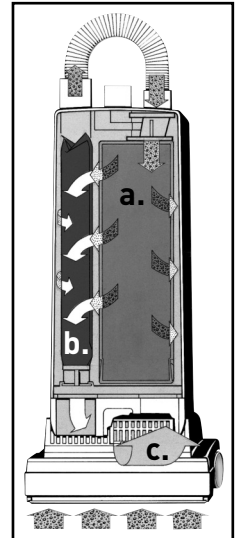
**Soft Start Feature –** The vacuum's gradual power-up capability extends motor life.

**Combination Carrying Handle with Rotating Cord Hook –** The vacuum is easy to carry, or quickly unwind the cord, using its unique handle with integrated rotating cord hook.

**Micro Filters are Inexpensive and Easy to Change –** Unlike most other vacuums, SEBO's replacement micro filters are reasonably priced and can be easily changed in seconds, without any tools. And the micro filters last a long time before replacements are necessary because nearly all dust particles and debris are first captured by the three-layer filter bags.

**Anti-allergy Hospital-grade, S-class Filtration –**

Certified by leading Allergy foundations in Europe, the ESSENTIAL G-Series vacuum provides the user with S-Class filtration of 99.9% of particles to 0.3 microns. This is accomplished by the SEBO three-step filtration system. First, the three-layer full-size filter bag (a) collects the vast majority of the debris. Then, the remainder of the particles are collected by the hospital-grade microfilter (b). Finally, the micro-exhaust filter (c) cleans the exhaust air that the vacuum emits. SEBO's unwavering attention to the complete sealing of the machine ensures no dust or dirt escapes around the microfilters. The ESSENTIAL G is perfect for allergy or asthma sufferers.



**Effective Pet Hair Removal –** All SEBO vacuums easily remove pet hair.



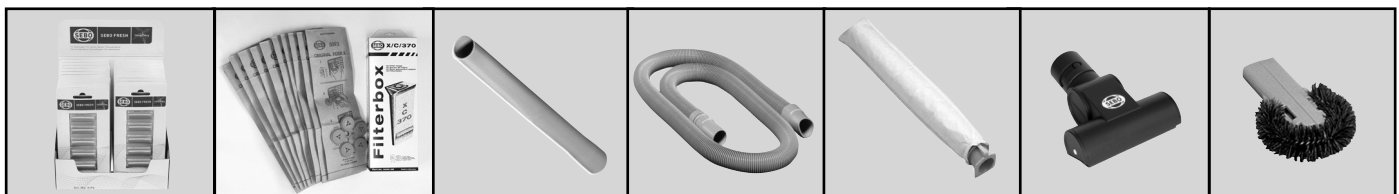
**Remarkably Quiet Operation –** Intelligent design and high-quality motors combine to provide amazingly quiet vacuums.

## OPTIONAL ATTACHMENTS, ACCESSORIES, BAGS & FILTERS

In addition to the standard on-board tools, a variety of optional attachments are available. The nine-foot extension hose (extends suction hoses) and the 19-inch extension tube (extends instant-use wands) are very popular because they create useful tools for cleaning stairs and out-of-reach areas. These two items are sold separately or as part of multiple item attachment kits. Another popular attachment is the hand held turbo brush for removing pet hair from upholstery.

SEBO filter bags can be purchased in boxes of ten (or sometimes eight) and filters are sold separately. SEBO bags, filters and accessories are reasonably priced and widely available.

To create a fresh scent while vacuuming, "SEBO FRESH" is available. To use, deposit a scented stick in the filter bag.



SEBO FRESH

Filter Bags

Extension Tube

Nine-foot Extension Hose

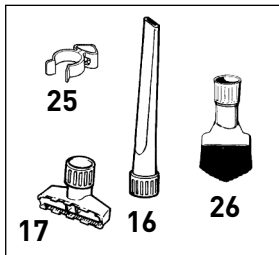
Charcoal Odor Filter

Hand-held Turbo Brush

Radiator Brush

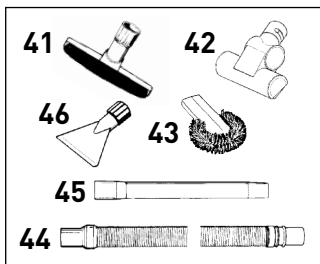
# IDENTIFICATION OF PARTS

- |                            |                                   |
|----------------------------|-----------------------------------|
| 1. Handle grip             | 13. Carrying handle               |
| 2. On/Off switch           | 14. Cable (cord) hook             |
| 3. Handle assembly         | 15. Attachment tube (active wand) |
| 4. Retaining ring          | 16. Crevice nozzle                |
| 5. Cover release flap      | 17. Upholstery nozzle             |
| 6. Dust bag housing        | 18. Pile adjustment knob          |
| 7. Front cover             | 19. Foot pedal                    |
| 8. Housing release button  | 20. Swivel neck                   |
| 9. Power head with brush   | 21. Support lever                 |
| 10. Cable (cord)           | 22. Handle release catch          |
| 11. Attachment tube handle | 23. Projection tab                |
| 12. Attachment hose        | 24. Connecting tube               |
|                            | 25. Dusting brush clamp           |



## Standard Attachments

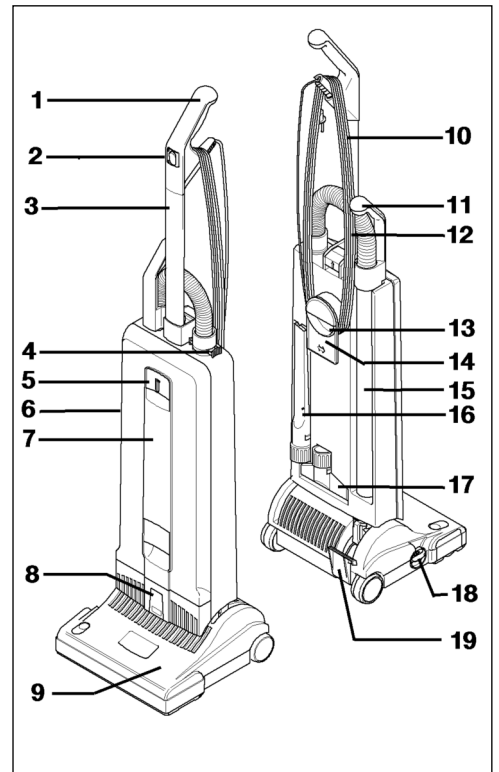
- 16. Crevice nozzle
- 17. Upholstery nozzle
- 25. Dusting brush clamp
- 26. Dusting brush



## Optional Attachments

- 41. Wall and floor brush - Part # 1325 HG
- 42. Turbo brush for stairs - Part # 6179 DA
- 43. Radiator brush - Part # 1496 DG
- 44. Extension hose (9'3") - Part # 1495 AM
- 45. Straight tube - Part # 1084 HG
- 46. Flat upholstery nozzle - Part # 1090 HG

Also available for odor control - the combined micro/charcoal filter - Part # 5425 AM



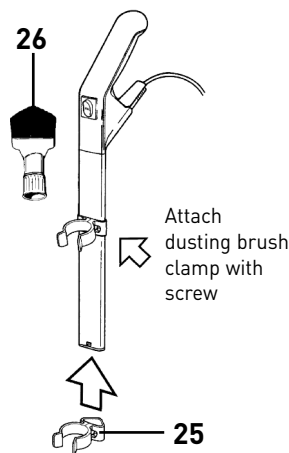
# ASSEMBLY

Place the power head (9) on the floor with the swivel neck (20) and the support lever (21) upright. Hold the dust bag housing (6) vertically and place it over the swivel neck and support lever. Push firmly and **evenly** down so that the housing release button (8) snaps outward to its "locked" position.

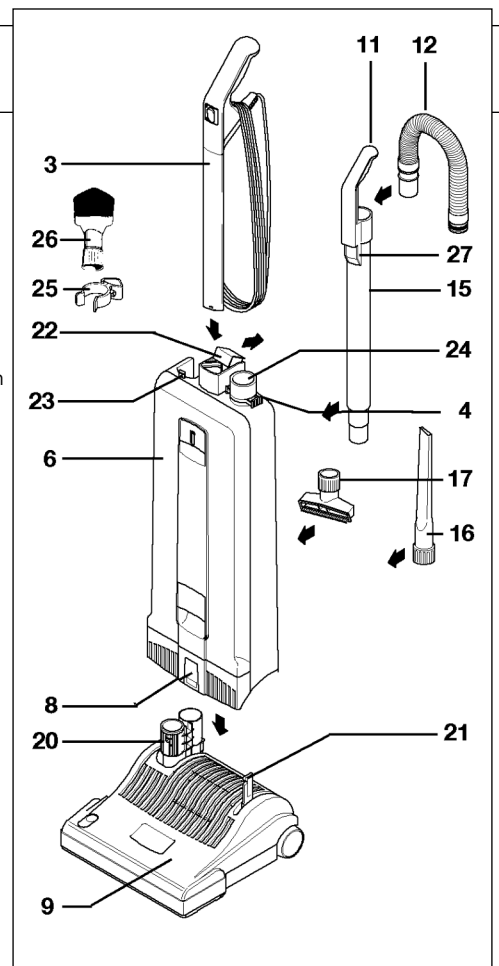
Slide the dusting brush clamp (25) onto the handle tube (3) and tighten the screw. The handle of the dusting brush (26) will now snap into the clamp.

To insert the handle tube (3) into the housing, lift the catch (22), slide the handle in, making sure that the handle is all the way in and cannot go any further. Push the catch (22) down to lock handle in place. If the handle is not pushed fully down, the vacuum will not work.

Push the black end of the attachment hose (12) into the connecting tube (24) so that it clicks into place. Insert the attachment tube (15) into the swivel neck opening and seat the handle (11) over the projection tab (23).



**NOTE:** All illustrations shown in this manual represent the G1 model except where part numbers and instructions are different for each model. In those instances, illustrations for both the G1 and G2 will be shown.



# OPERATING INSTRUCTIONS

## Starting The Machine - Figures 1 & 2

Before turning on your vacuum cleaner, make sure that the vacuum handle is in its upright locked position and that you have a firm hold on the handle grip to keep the machine from moving forward.

1. Turn the quick release cable hook (14) to the up position by moving it to the left or right (figure 1).
2. Release the power cord plug from the power cord and lift the cord off of the upper cord hook (27 - figure 2).
3. With the switch (2) in the "0" (OFF) position (figure 2), plug the polarized power cord into a 120 volt outlet located near the floor.

Switch Position

0 = OFF

1 = ON

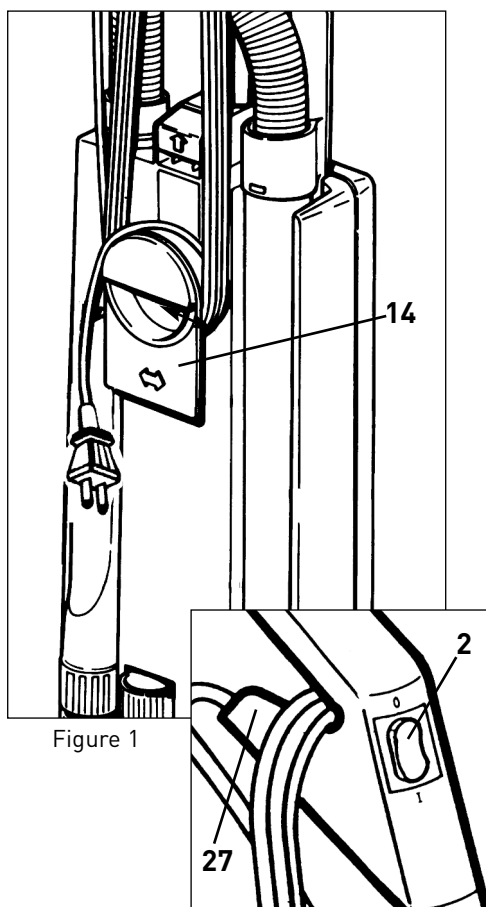


Figure 1

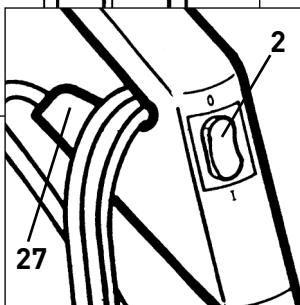


Figure 2

## Operating Positions - Figure 3

To release the machine from the upright locked position, press down on the foot pedal (19) and lower the handle into the normal operating position.

The handle can be lowered to an intermediate stop position in order to lift up the brush head for maneuvering over rugs, etc. To lower the handle to a horizontal position useful for vacuuming under beds, the foot pedal must be pressed a second time. The intermediate stop position can be closed off by the orange-colored slider (28) on the back of the swivel neck (20), so that the handle will go from vertical to horizontal in one movement.

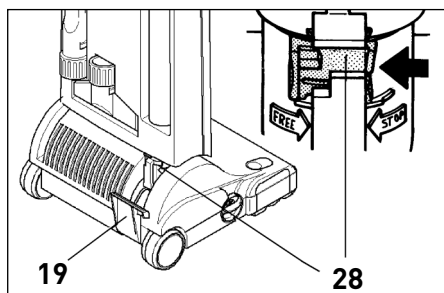


Figure 3



**WARNING!** The quality, condition, coating, texture, age and manufacturing technique of all floor surfaces vary. Therefore, upright vacuums with rotating brushes, including your SEBO, may damage some floor coverings or surfaces. Some types of high-gloss hardwood floors, cushion vinyl, berber carpets, long shag, and delicate or hand-woven carpets are particularly vulnerable to damage by rotating brushes. When possible, consult the materials supplied by your floor's manufacturer for information on proper upkeep and cleaning. **To ensure that your new SEBO vacuum cleaner is compatible with your floor, please test the vacuum cleaner on each type of flooring surface in a small inconspicuous area to determine if any damage occurs. If damage occurs, stop using the vacuum cleaner immediately!**

**Care must be taken to ensure that the bottom of the machine does not contact the floor.** If this happens, damage to the floor could occur. **If damage occurs, stop using the vacuum cleaner immediately!**

## Using the Attachment Tube, Hose & Attachments - Figures 4, 5 & 6

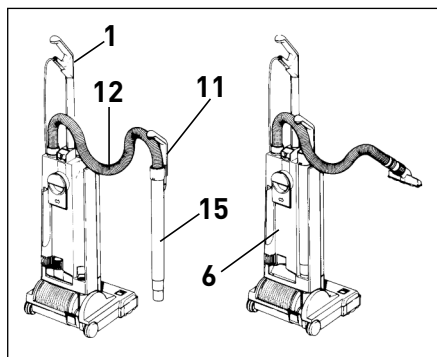


Figure 4

Figure 5

The attachment tube (15) is useful for vacuuming corners and hard-to-reach areas. The handle grip (1) should be in the upright, locked position (**as shown in figure 4**). Grip the attachment tube handle (11), pull it up and away from the machine and stretch out the hose (12) until it locks to the back of the tube (this locking action will prevent the hose from retracting back into the attachment tube while it is in use). Various attachments may be inserted onto the end of the tube. After use, remove attachment and re-insert the attachment tube into the back of the machine. **Be sure that the attachment tube handle (11) is inserted over the projection tab (see #23, page 6)**. If the attachment tube handle is properly seated over the projection tab, the hose will automatically retract and you may resume vacuuming. There is no need to turn off the vacuum while switching from upright vacuuming to using the attachment tube or hose.

To use the hose without the attachment tube (**as shown in figure 5**), pull the hose out of the attachment tube while the tube is still attached to the machine and **securely seated over the projection tab (23)**. Insert an attachment tool, if desired, onto the end of the flexible hose. You may also release the hose while the attachment tube is disengaged from the machine by pressing the release button (27) at the base of the handle (11).

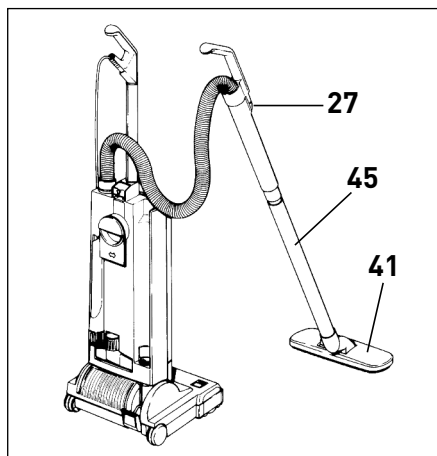


Figure 6

While using attachment tools, you may keep the brush roller off the carpet by placing the handle (1) in its upright locked position and lowering the handle with one hand to raise the brush roller off of the floor. Operate attachment accessories with the other hand. Or, with the handle in the upright locked position, the machine may be tipped backward so that it rests on the back side of the bag housing (6), and the power head is locked in a perpendicular position to the floor. Ensure that no children or pets can come into contact with the spinning brush roller.

To vacuum walls, under beds, or higher-reach areas, etc., the SEBO ESSENTIAL G can be fitted with an additional straight tube (45) and the wall and floor brush (41). The machine will then perform as a canister vacuum (**as shown in figure 6**).

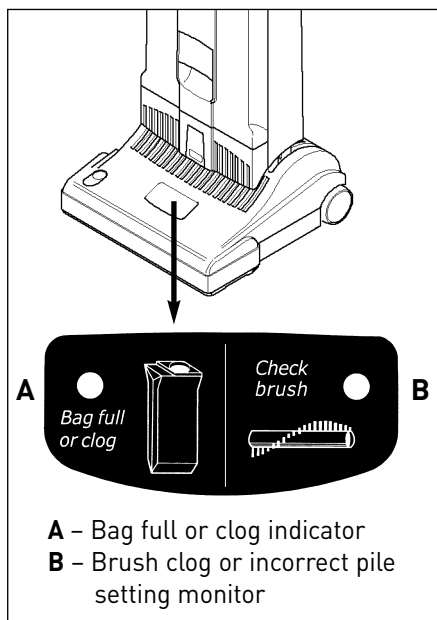


Figure 7

- A** - Bag full or clog indicator
- B** - Brush clog or incorrect pile setting monitor

### The Display Panel - Figure 7

- |           |   |
|-----------|---|
| Red light | (A): Off - Operation of machine is normal   |
| Red light | (A): Continuous - change bag or clear clog in the hose or power head.   |
| Red light | (A): Flashing and motor off - dust bag is full, or clog in the hose or power head due to ignoring the continuous red warning light for full bag or clog (see above) |
| Red light | (B): Off - Operation of brush is normal   |
| Red light | (B): Flashing while in position 1 on the pile adjustment knob (18) - brush is worn - change brush roller  |
| Red light | (B): Continuous while in positions 1-4 - incorrect brush setting - adjust the brush by turning the pile adjustment knob (18) to a higher or lower position          |
| Red light | (B): Flashing and motor switched off - clogged brush  |
| Red light | (B): Flashing and motor switched off with no blockage - raise brush to a higher position  |

**For additional information on the display panel, see page 4**

### The Height Adjustment Wheel - Figure 8

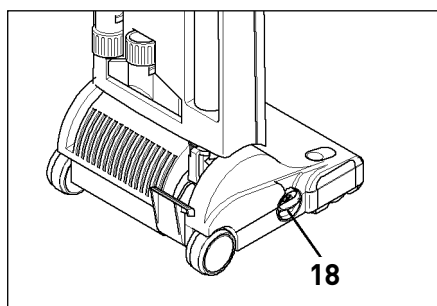


Figure 8

The pile adjustment wheel (18) has 4 brush height settings. Setting 1 is the lowest brush setting and setting 4 is the highest brush setting. When starting the vacuum, always start with the knob set at 4, then lower knob settings until the brush reaches the proper height. The red brush light on the display panel will light after 6 seconds if the brush is too high. Adjust the knob down. If after 6 seconds, the brush light stays unlit, the brush is at the proper setting for the pile. The red brush light will also illuminate if the setting is too low. Adjust the knob up until the light stays unlit after 6 seconds.



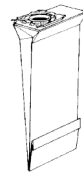
# MAINTENANCE



**Always unplug vacuum from outlet before dismantling any part of the machine!**

## Changing the Dust Bag - Figure 9

To change the dust bag, pull the cover release flap forward (#5 on page 6) and lift the cover (7) from the dust bag housing. **The cover release flap must remain in a forward "pulled-out" position to change dust bags and lock them into place.** Squeeze the clamps on both sides of the dust bag sealing plate (29), slide the plate from the holder (30) and push the cap on to seal the bag. Slide the sealing plate (29) of a new bag into the holder and push it in firmly. Re-insert cover into dust bag housing, push it forward, then lock it in place by pushing down the cover release flap. You may find it convenient to store the bag cap inside the dust bag housing below the dust bag.



Dust Bag  
Part #5093 AM

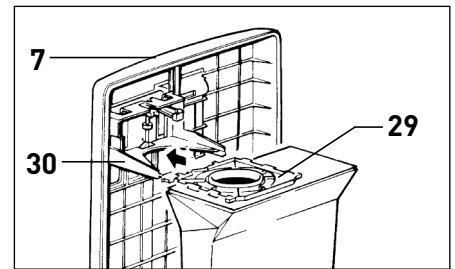


Figure 9

## Changing the Micro-Hygiene Filter - Figure 10

The micro-hygiene filter (31) needs to be changed when it becomes extremely dirty or clogged with dust, or after approximately 20 dust bags have been used. To change the micro-hygiene filter, pull the cover release flap (#5 on page 6) forward and lift the cover (7) from the dust bag housing. Then, slide the filter out at the bottom. To replace, lift the safety lever (32) and slide the new filter in using the tracks as guides.



Micro-Hygiene  
Filter  
Part #5036 AM

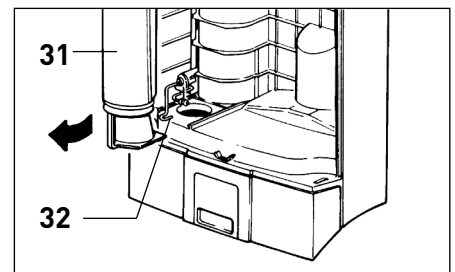


Figure 10

## Changing the Exhaust Filter - Figure 11

After 20 bags have been used, change the exhaust filter (33). Remove the dust bag housing (6) from the power head by pressing the housing release button (8). To remove the exhaust filter, push the catch (34) and remove the filter cover (35) and exhaust filter. Insert the new filter, replace the filter cover then insert the dust bag housing back into the power head.



Exhaust Filter  
Part #2846

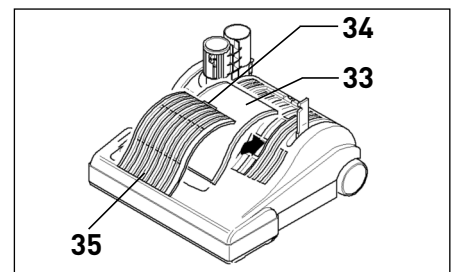


Figure 11

## Changing the Brush Roller - Figure 12

To change the brush roller (37), push the button (36), remove the side plate (38), turn the brush clockwise a quarter of a turn, and pull the old brush roller out. Slide the new brush roller into the brush housing and turn it until it locks into position. While slightly pushing the button (36), press the side plate (38) back into the locked position.



Brush Roller G1  
Part #5010 AM

Brush Roller G2  
Part #2838 AM

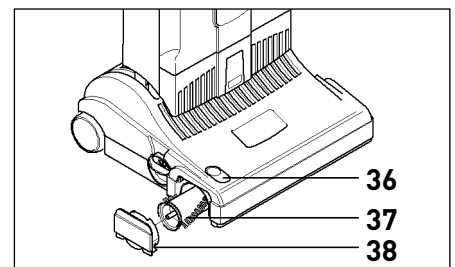


Figure 12

# CLOG REMOVAL

**⚠ Always unplug vacuum from outlet before removing any clogs!**

## Clogs in the Airflow Pathway - Figure 13

Most clogs can be removed by accessing the airflow pathway via the orange colored access door (39) located on the underside of the power head. However, other clogs may only be removed by accessing the airflow pathway by disassembling the machine in the opposite sequence of the machine's original assembly (see assembly, page 6).

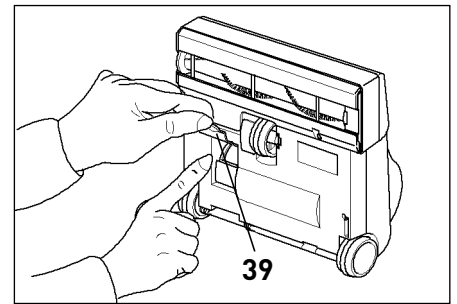


Figure 13

## Clogs in the Attachment Hose - Figure 14

Blockages in the hose can be cleared by removing the attachment hose (12) from the machine by squeezing the retaining ring (4) and inserting the opposite end of the hose in the connecting tube (24). Hold the hose upright with one hand blocking the top end and switch on the machine. If necessary, quickly lift your hand on and off the end of the hose. If this procedure does not clear the clog, a straight wire can be inserted into the hose to push out the clog. Take care not to puncture the hose with the wire.

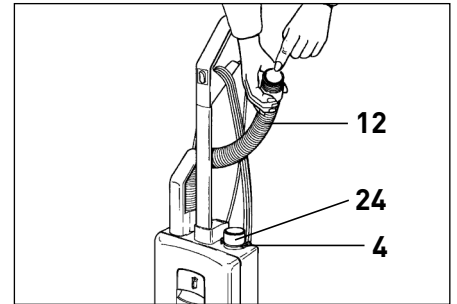


Figure 14

## Clogs in the Attachment Tube (Active Wand) - Figure 15

Remove attachment hose (12) from the attachment tube (15) by pressing the hose release button (27). Then, grip attachment tube handle (11) and remove tube from the machine. A straight wire can be inserted into the tube to push out the clog.

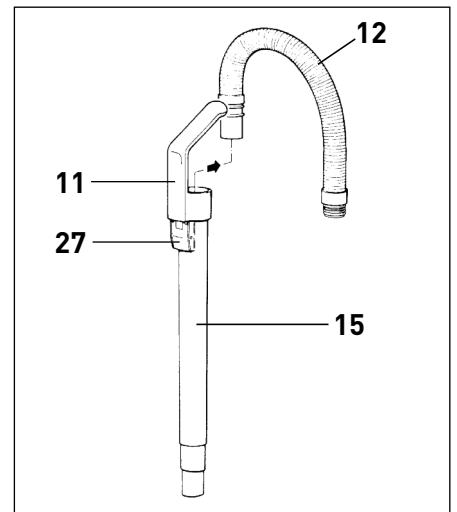


Figure 15

## Clogs in Entrance to Dust Bag - Figure 16

Remove attachment hose (12) from vacuum cleaner (see figure 14) and remove front cover (7). Clean out connecting tube (24) and/or entrance to bag (40).

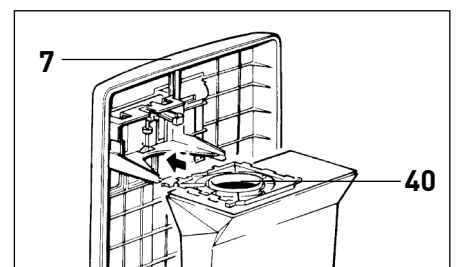


Figure 16

## Clogs in the Swivel Neck - Figure 17

Clogs in the swivel neck (20) can be removed by first pressing the housing release button (8) and lifting off the dust bag housing (6). Lift upward firmly and evenly to properly remove the dust bag housing. Then, release the foot pedal (19), lower the swivel neck, check inside the swivel neck channel closest to the foot pedal (see arrow), and clean out pathway.

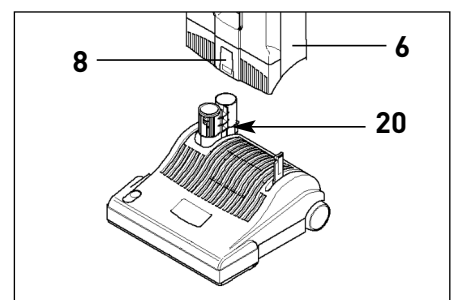


Figure 17

# TROUBLE-SHOOTING GUIDE



**Always unplug vacuum from outlet before dismantling any part of the machine!**

<b>PROBLEM</b>	<b>REASON</b>	<b>SOLUTION</b>
<b>Does not turn on or machine shuts off intermittently</b>	1. Handle not fully inserted into the bag housing, causing a faulty connection.	1. Release handle catch, push handle down, close handle catch.
	2. Not plugged into good outlet.	2. Use another outlet.
	3. Cable worn.	3. Replace cable.
	4. Dust bag housing (6) not seated fully into proper "locked" position on top of power head.	4. Housing release button (8) should be snapped outward to its locked position.
<b>Bag full or clog light on or flashing &amp; machine shuts off (red light A see page 8, figure 7, also, see page 4)</b>	1. Bag full.	1. Replace bag. See page 9
	2. Clog in airflow pathway, attachment hose, attachment tube, swivel neck or entrance to dust bag.	2. See Clog Removal on page 10.
	3. Microfilter dirty.	3. Replace microfilter. See page 9
<b>Brush light on or flashing (red light B see page 8, figure 7, also, see page 4)</b>	1. Brush worn.	1. Replace brush. See page 9
	2. Incorrect brush setting	2. Adjust the brush by turning the pile adjustment knob up or down.
<b>Brush light flashing &amp; machine shuts off (red light B, page 8, also, see page 4)</b>	1. Brush jammed or clogged.	1. Clear jam. See page 10.
	2. Brush is too low for the surface being vacuumed.	2. Raise the brush by turning the pile adjustment knob up.
<b>Does not pick up</b>	1. Attachment tube not correctly inserted.	1. Reinsert attachment tube, making sure lower end of tube is in the lower hole and handle is properly seated over the projection tab (23).
	2. Front cover not closed.	2. See below.
<b>Front bag door won't fully close</b>	1. Cover release flap not fully closed.	1. Reinsert bag. Lock the cover release flap down firmly.
	2. Bag not inserted properly.	2. Reinsert bag with cover release flap (5) up, until firmly latched in bag holder (see pg. 9, figure 9).
	3. Microfilter not properly inserted.	3. Lift safety lever and insert filter with vertical plastic ridge on filter facing you (see pg. 9, figure 10).
<b>Hose doesn't retract after attachment tube is inserted</b>	1. Attachment tube not properly inserted.	1. Reinsert making sure top of handle is pointing back and tube is fully seated on the protruding tab (23) on top of the dust bag housing.

# ESSENTIAL G1 AND G2 SCHEMATIC AND PARTS LIST

## Filter Bag Housing and Handle

### #9591AT G1 and #9592AT G2

#### Teal/Light Gray Machines

Pos.	Part #	Description
1	5624AT	Handle with cable, teal, complete
2	5296ES	Handle grip (incl. pos. 3, 7 & 10)
3	5359HG	Grommet
4	5450DG	Power supply cord
5	05113	Switch, cpl.
6	5160TK	Switch cap - teal
7	5161HG	Switch cap holder- light gray
8	5162	Cable clamp
9	0103	Screw C 3,9 x 16
10	5253UL	Antistatic-wire, cpl.
11	5298ER	Handle cable
12	0129	Screw, M4 x 12
13	5187	Handle tube
14	0102	Screw F 3.9 x 13
15	5040SB	Hose - silver, complete
16	5045HG	Extension tube
17	5803HG	Cover
18	5319	Bag holder spring
19	5706TK	Cover release - teal
20	5324	Bag holder cpl. (incl. Pos. 20 + 21)
21	5360	Safety catch
22	5091	Safety catch spring
23	5805TK	Front cover, complete - gray/teal
24	5093AM	Filter bag
25	5036AM	Micro Hygiene Filter
26	5380HG	Internal cover, compl. (incl. Pos. 43 + 44)
27	5164	Cable clamp
28	5208	Filter safety catch
29	5210	Return spring
30	1073	Clamp
31	5099	Handle lock plate
32	5098HG	Lock catch
33	0187	Lock pin 4 x 33.5
34	5145HG	Carrying handle
35	5146	Stop spring
36	5144HG	Cable hook
37	5424DG	Retaining ring
38	5280HG	Dust bag housing
39	1823HG	Attachment clip
40	5084	Spring for locking rod
41	5299ER	Internal cable
42	5266	Cable clamp
43	5842	Seal
44	5289	Seal
45	5163	Seal
46	5085HG	Dust bag housing bumper base
47	5082TK	Dust bag housing locking catch - teal
48	5083	Locking rod
49	5214AT	Dust bag housing - light gray/teal
50	1491JE	Upholstery nozzle - light gray
51	1092JE	Crevice nozzle - light gray
52	5460DG	Mounting clip with screw - dark gray
53	1387DG	Dusting brush

### #9591AM G1; #9592AM G2

#### Light Gray/Dark Gray Machine Exceptions

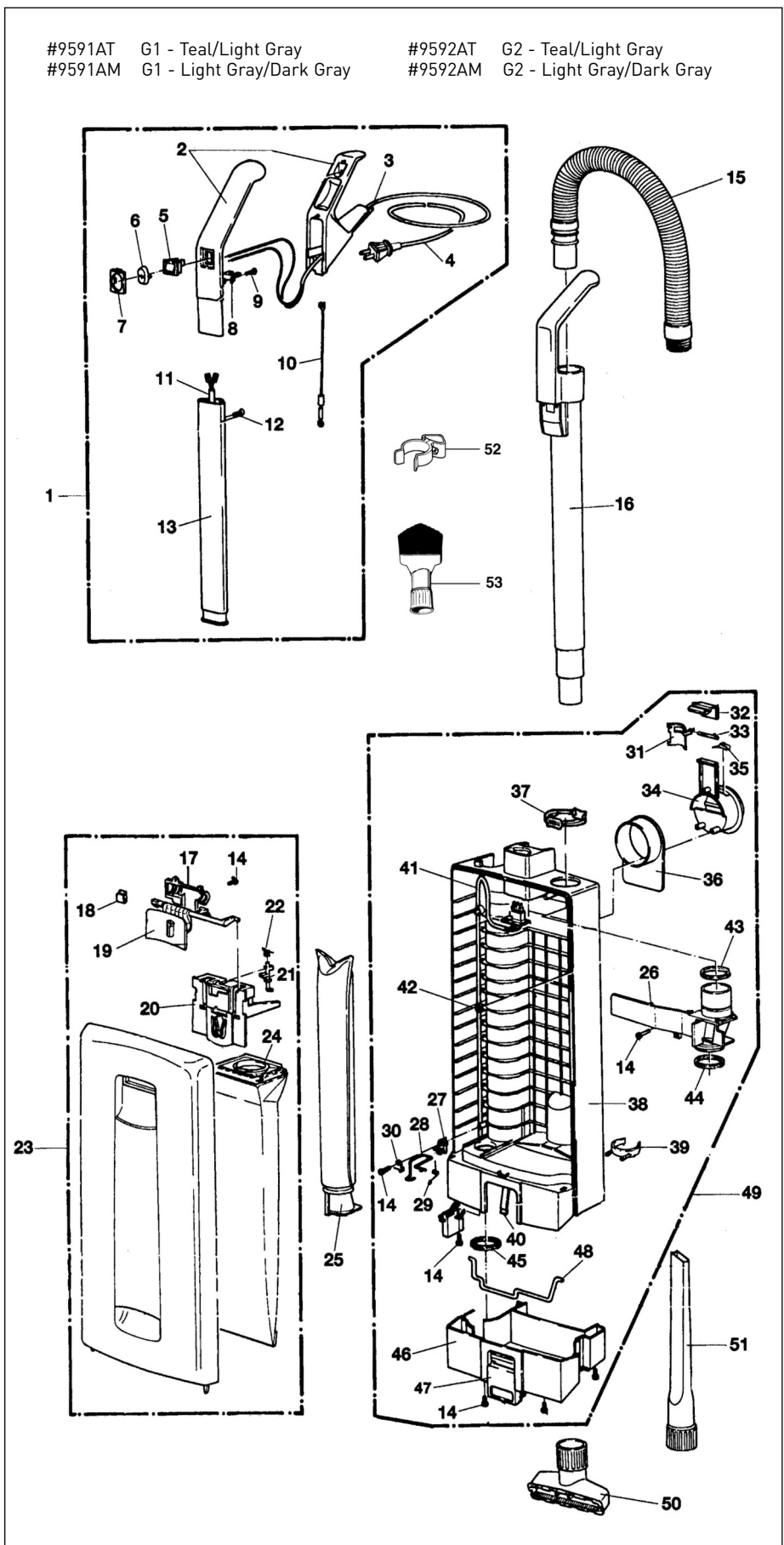
1	5624AM	Handle with cable, complete
6	5160DG	Switch cap - dark gray
7	5161DG	Switch cap holder - dark gray
16	5045DG	Extension tube - dark gray
19	5706DG	Cover release - dark gray
23	5805SE	Front cover, cpl. - light gray/dark gray
47	5082DG	Lock button - dark gray
49	5214HG	Dust bag housing, complete - light gray
50	1491DG	Upholstery nozzle - dark gray
51	1092DG	Crevice nozzle - dark gray

#9591AT G1 - Teal/Light Gray

#9591AM G1 - Light Gray/Dark Gray

#9592AT G2 - Teal/Light Gray

#9592AM G2 - Light Gray/Dark Gray



# ESSENTIAL G1 SCHEMATIC AND PARTS LIST

## Power Head

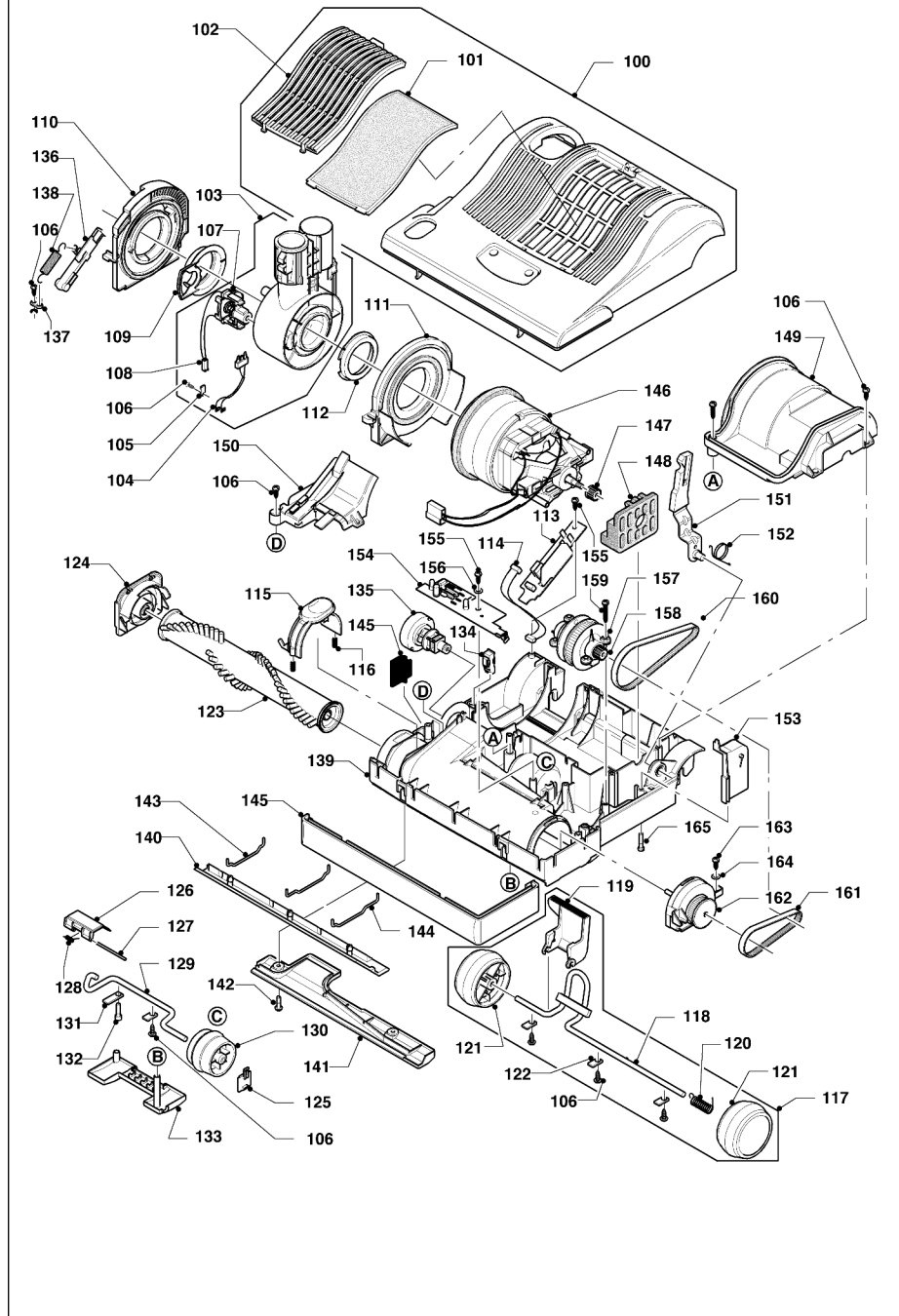
### #9591AT G1 Teal/Light Gray Machine

Pos.	Part #	Description
100	2831AT	Power head cover, complete - teal
101	2846	Exhaust filter
102	2820TK	Exhaust filter cover - teal
103	2823UL	Swivel neck assembly
104	2883	Male contact holder
105	2494	Cable clamp
106	0102	Screw F 3.9 x 13
107	2835	Bypass valve
108	0869	Internal cable
109	2825	Swivel neck bearing r.h.
110	2824	Swivel neck support r.h.
111	5479	Swivel neck support l.h.
112	5717	Swivel neck bearing l.h.
113	2890ER	PCB Power supply
114	0864	Internal cable
115	5713TK	Brush roller release - teal
116	5103	Spring
117	5051HG	Axle assembly
118	5053	Axle
119	5059OR	Foot pedal - orange
120	2010	Axle spring
121	5819HG	Wheel, complete
122	2014	Axle clamp
123	5010AM	Brush roller
124	5031TK	Bearing block, r.h. - teal/light gray
125	2869HG	Rubbing plate
126	2868OR	Access door (incl. Pos. 127 + 128)
127	5303	Access door axle
128	5304	Access door spring
129	2861	Pile adjustment axle
130	5174HG	Pile adjustment wheel
131	2849	Axle clamp
132	01010	Screw AM4 x 16
133	2860HG	Cover
134	2833	Thrust member
135	2862HG	Pile adjustment knob
136	2834	Thrust member
137	2856	Clamp
138	2867	Spring
139	2821HG	Chassis, complete
140	5411HG	Front bottom plate, complete
141	2829HG	Rear bottom plate, complete (incl. Pos. 142)
142	0197	Screw M4 x 12
143	5401	Wire tie
144	5402	Wire tie
145	5005HG	Bumper, set
146	5468	Motor 1000W / 120V
	05117S	Carbon brush set
147	5462	Motor pulley 2MR
148	5100	Rubber mounting
149	2826TK	Motor cover - teal
150	2839SW	Cover for air channel
151	5129	Support lever
152	5107-1	Support spring
153	5112SW	Motor pulley cover
154	2881ER	Computer controller
155	0107	Screw C 2.9 x 13
156	0143	Washer 3.2 DIN 125
157	5464	Sensor
158	5117/1	Sensor pulley
159	0104	Screw C 3.9 x 25
160	5463	Belt 2MR-310-6
161	5110	Belt 219 3M HTDII-6
162	5766HG	Bearing block l.h., complete
163	0103	Screw C 3.9 x 16
164	0140	Washer 4.3
165	0176TL	Screw AM4 x 30 DIN 7985 TL

### #9591AM G1 Light Gray/Dark Gray Machine Exceptions

100	2831SE	Power head cover, complete - light gray/dark gray
102	2820DG	Exhaust filter cover - dark gray
115	5713DG	Brush roller release - dark gray
124	5031DG	Bearing Block, right hand - light gray/dark gray
149	2826	Motor cover

#9591AT G1 - Teal/Light Gray  
 #9591AM G1 - Light Gray/Dark Gray



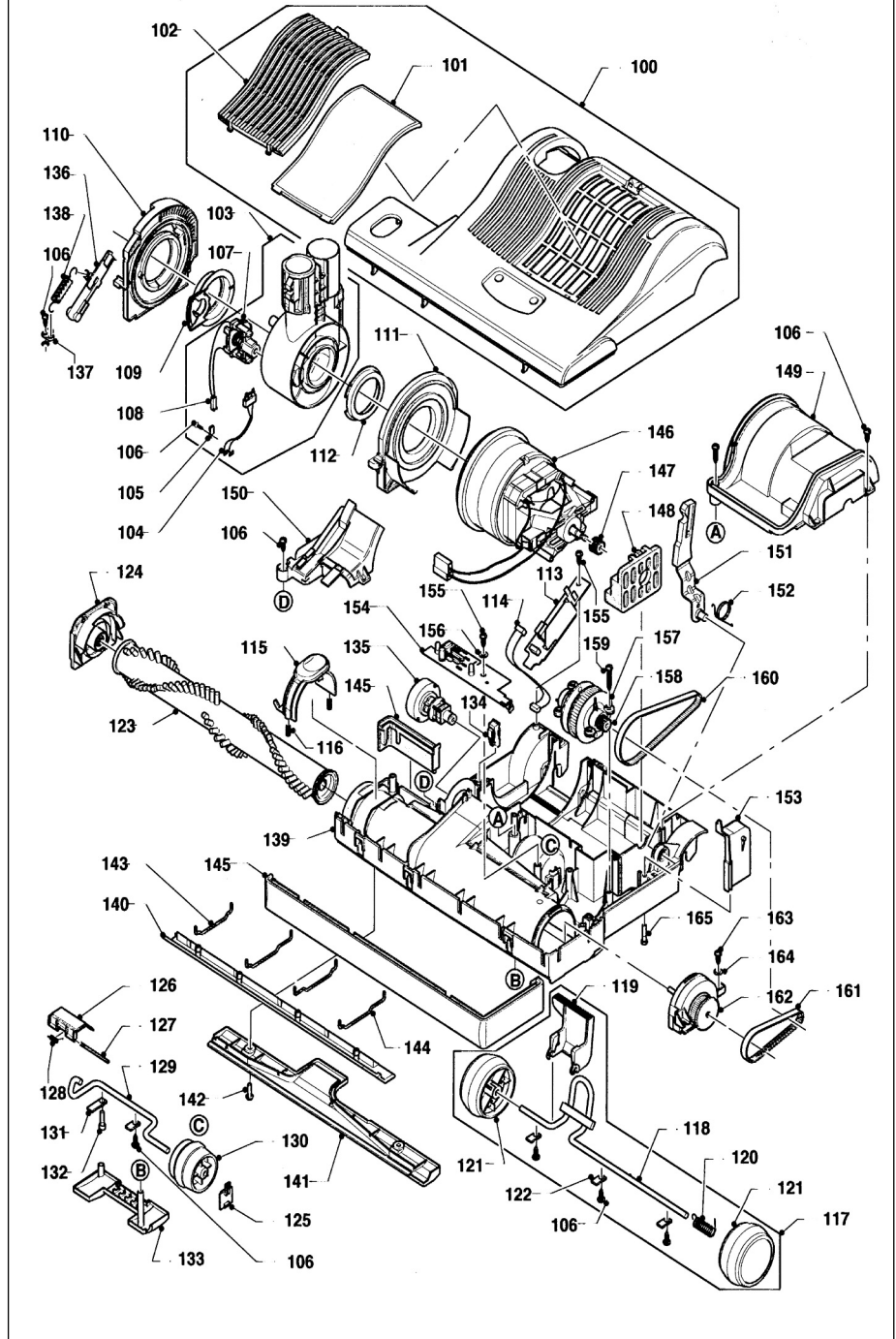
# ESSENTIAL G2 SCHEMATIC AND PARTS LIST

## Power Head

### #9592AT G2 Teal/Light Gray Machine

Pos.	Part #	Description
100	2832AT	Power head cover, complete - teal
101	2846	Exhaust filter
102	2820TK	Exhaust filter cover - teal
103	2823UL	Swivel neck assembly
104	2883	Male contact holder
105	2494	Cable clamp
106	0102	Screw F 3.9 x 13
107	2835	Bypass valve
108	0869	Internal cable
109	2825	Swivel neck bearing r.h.
110	2824	Swivel neck support r.h.
111	5479	Swivel neck support l.h.
112	5717	Swivel neck bearing l.h.
113	2890ER	PCB Power supply
114	0864	Internal cable
115	2843TK	Brush roller release - teal
116	5103	Spring
117	5051HG	Axle assembly
118	5053	Axle
119	5059OR	Foot pedal - orange
120	2010	Axle spring
121	5819HG	Wheel, complete
122	2014	Axle clamp
123	2838AM	Brush roller
124	5031TK	Bearing block r.h. - teal/light gray
125	2869HG	Rubbing plate
126	2868OR	Access door (incl. Pos. 127 + 128)
127	5303	Access door axle
128	5304	Access door spring
129	2861	Pile adjustment axle
130	5174HG	Pile adjustment wheel
131	2849	Axle clamp
132	01010	Screw AM4 x 16
133	2860HG	Cover
134	2833	Thrust member
135	2862HG	Pile adjustment knob
136	2834	Thrust member
137	2856	Clamp
138	2867	Spring
139	2822HG	Chassis, complete, G2
140	2828HG	Front bottom plate, complete
141	2830HG	Rear bottom plate, complete (incl. Pos. 142)
142	0197	Screw M4 x 12
143	5401	Wire tie
144	5402	Wire tie
145	2842HG	Bumper, set
146	5468	Motor 1000W / 120V
147	05117S	Carbon brush set
148	5462	Motor pulley 2MR
149	5100	Rubber mounting
150	2826TK	Motor cover - teal
151	2839SW	Cover for air channel
152	5129	Support lever
153	5107-1	Support spring
154	5112SW	Motor pulley cover
155	2881ER	Computer controller
156	0107	Screw C 2.9 x 13
157	0143	Washer 3.2 DIN 125
158	5465	Sensor
159	5117/1	Sensor pulley
160	0104	Screw C 3.9 x 25
161	5463	Belt 2MR-310-6
162	5110	Belt 219 3M HTDII-6
163	5766HG	Bearing block l.h., complete
164	0103	Screw C 3.9 x 16
165	0140	Washer 4.3
166	0176TL	Screw AM4 x 30

#9592AT G2 - Teal/Light Gray  
 #9592AM G2 - Light Gray/Dark Gray



### #9592AM G2 Light Gray/Dark Gray Machine Exceptions

100	2832DG	Power head cover, complete - light gray/dark gray
102	2820DG	Exhaust filter cover - dark gray
115	5713DG	Brush roller release - dark gray
124	5031DG	Bearing Block, right hand - light gray/dark gray
149	2389SW	Motor cover

# SEBO VACUUM CLEANER WARRANTY

1. Your authorized SEBO dealer or SEBO will provide the original product purchaser with replacement of Non-Wear Parts which fail due to a material or workmanship defect for a period of five (5) years from the original date of purchase of new product. SEBO will provide a five (5) year warranty on suction motors and brush drive motors.
2. Your authorized SEBO dealer or SEBO will repair (or will cover labor charges associated with repair) a defective SEBO vacuum cleaner at no cost to the original purchaser, within five (5) years of original purchase of new product in the United States; and within one (1) year of original purchase of new product in Canada.
3. SEBO or an authorized SEBO dealer must complete all warranty repairs.
4. To locate an authorized SEBO dealer in your area, or to register a warranty claim in the **United States of America, please visit our website at [www.sebo.us](http://www.sebo.us).**
5. To locate an authorized SEBO dealer in your area, or to register a warranty claim in **Canada, please call Floor Care Equipment, Ltd. at (800) 661-8687.**
6. The warranties provided for above apply exclusively to SEBO Vacuum Cleaners which are used residentially. No warranty is provided for SEBO vacuum cleaners used commercially.
7. The Wear Parts excluded from warranty coverage include filter bags, exhaust filters, micro-hygiene filters, the cable (external cord), the brush roller, the front bottom plate, the rear bottom plate, the attachment tube (active wand), the crevice nozzle, the upholstery nozzle, the dusting brush, the parquet brush and all of the optional attachments. (See "Identification of Parts" on page 6 of this manual).
8. This warranty applies only while your SEBO Vacuum Cleaner is physically located within the United States of America and its territories or Canada.
9. The purchase receipt showing the date, price, and item of purchase is the initial document of proof of purchase and determines the validity of warranty. To be certain that your warranty claim can be processed as quickly and efficiently as possible, please retain your original purchase receipt and mail in the warranty card provided with your new SEBO vacuum cleaner.
10. This warranty gives you specific legal rights. You may also have other legal rights, which vary from state/province to state/province.
11. SEBO America will not process nor will it accept responsibility for warranty claims for machines purchased from dealers located in Canada. Floor Care Equipment, Ltd. will not process nor will it accept responsibility for warranty claims for machines purchased from dealers located in the United States.

**EXCLUSIVE REMEDY:** The remedies provided under the terms of this Warranty are the purchaser's exclusive remedies and are in lieu of any other remedies otherwise available.

## THE WARRANTY DOES NOT COVER:

- Used or secondhand products.
- Products outside of the warranty period.
- Items not manufactured by SEBO.
- Normal maintenance service.
- Equipment damaged by improper use, accident, other casualty or negligence.
- Machines equipped with nonauthorized attachments or modifications.
- Machines on which the serial number has been altered or removed.

## LIMITATIONS AND EXCLUSIONS:

SEBO MAKES NO OTHER REPRESENTATIONS OR WARRANTIES, EXPRESSED OR IMPLIED AND SPECIFICALLY EXCLUDES THE IMPLIED WARRANTIES OF MERCHANTABILITY AND FITNESS FOR A PARTICULAR PURPOSE.

SEBO WILL NOT BE LIABLE FOR INCIDENTAL OR CONSEQUENTIAL DAMAGES OF ANY KIND OR NATURE.

THIS DISCLAIMER OF IMPLIED WARRANTIES SHALL NOT APPLY TO THE EXTENT SAID DISCLAIMER IS NOT ALLOWED BY APPLICABLE STATE/PROVINCIAL LAW.

## To contact SEBO in the United States of America:

SEBO America, LLC  
 Telephone: (800) 334-6614  
 Fax: (303) 792-9196  
 Website: [www.sebo.us](http://www.sebo.us)



## To contact SEBO in Canada:

Floor Care Equipment, Ltd.  
 Telephone: (800) 661-8687  
 Fax: (800) 270-4807  
 Website: [www.sebocanada.ca](http://www.sebocanada.ca)



MADE IN GERMANY